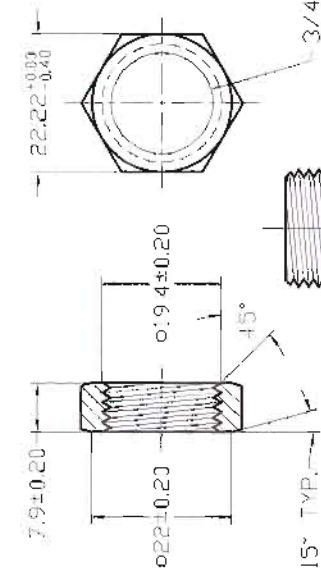


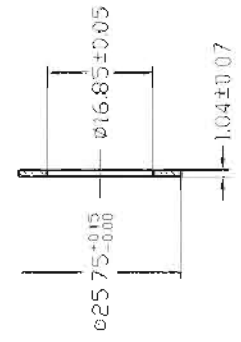
REV	DATE	REVISION DETAILS	APPD

OK MCD
23 AUG 2012

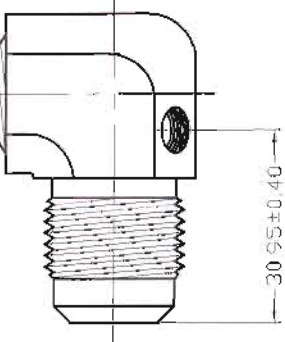
螺母



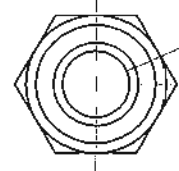
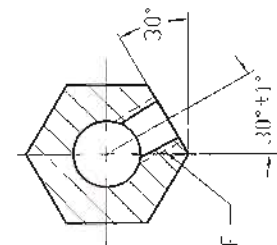
垫圈



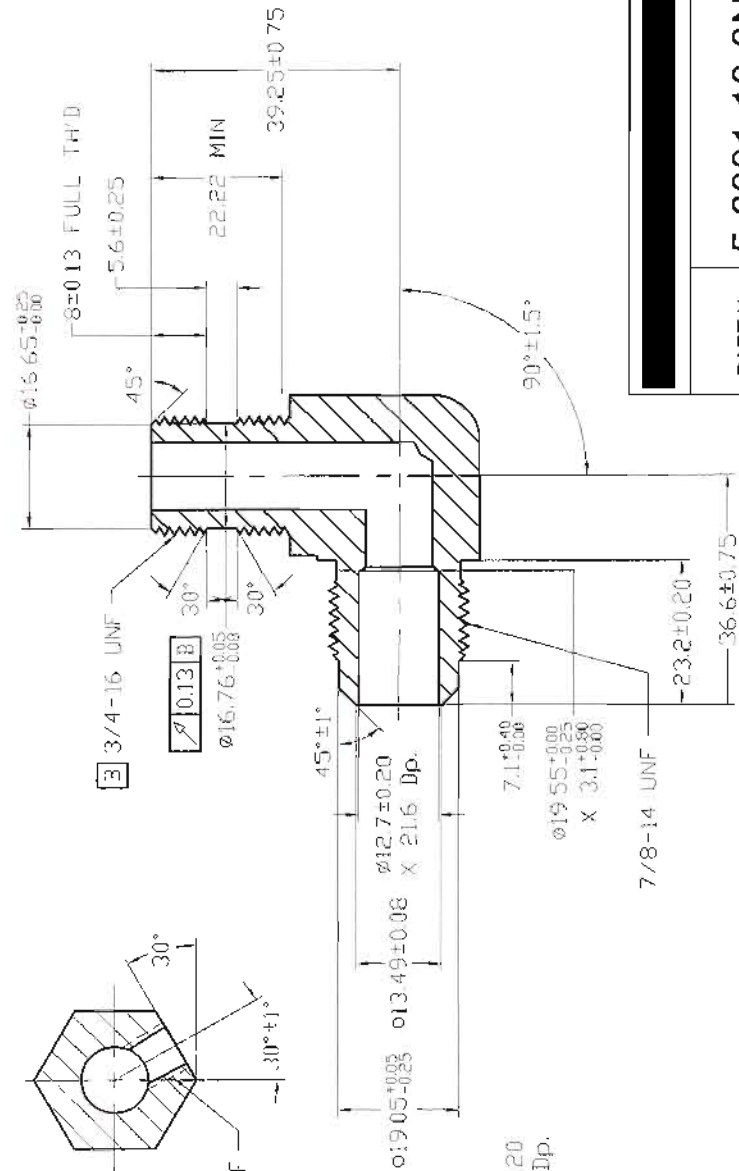
3/4 16 UNF 2B



1/8-27 NPTF



UNLESS SPECIFIED
ALL DIMENSIONS IN mm
MACHINED SURFACES Ra=3.2um
ANGLE TOLERANCES ±1°
DECIMAL TOLERANCES:
.X: ±0.5
.XX: ±0.25
.XXXX ±0.127



PART No	5-6801-10-8NW-2P4
SCALE:	NTS
APPD:	L. G. Pan
DRN:	L. G. Pan
DATE:	2011.08.17
CHK:	L. G. Pan

MATERIAL Chinese steel 45

FINISH Remove all sharp edges, burrs, slivers and swarf, break all edges 0.127-0.254mm. ZINC PLATED WITH TRivalent CHROMIUM AND NO RED CORROSION IN 96 HOURS SALT SPRAY TEST. 去除所有毛刺, 铁屑等残留物, 破边倒钝0.127-0.254mm. 镀三价铬, 银白色. 96小时盐雾试验无红斑.